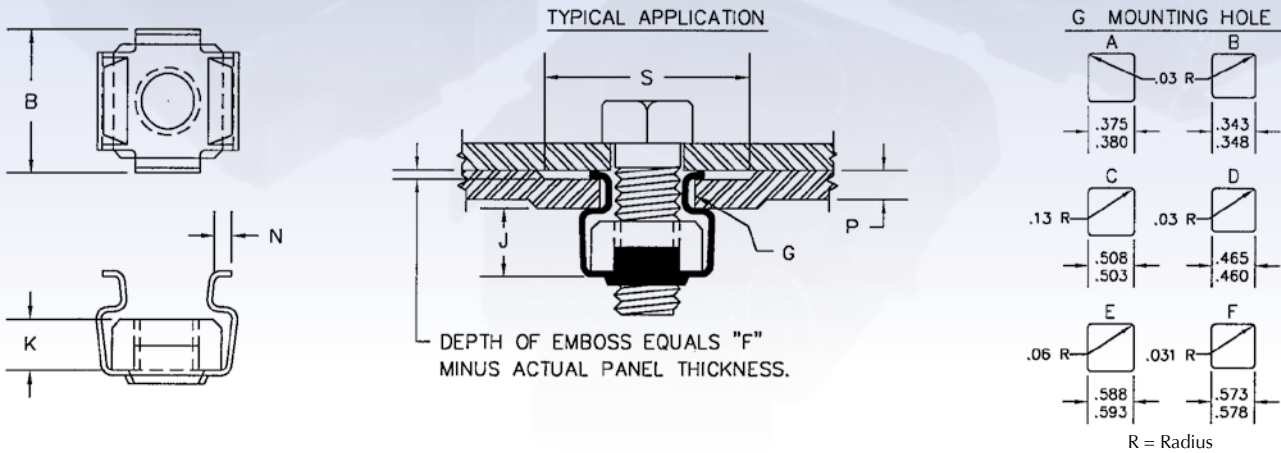


# Metallics

**NEW!**

## Cage Nuts



SCREW SIZE	PANEL RANGE P	F	S	MNTG. HOLE G	B	J	N	K	PART NUMBER
12-24	.025 - .063	0.1	0.531	A or B	0.52	0.06	0.6	0.156	CNN1224
10-24	.025 - .063	0.1	0.531	A or B	0.52	0.06	0.6	0.156	CNN1024
10-32	.025 - .063	0.1	0.531	A or B	0.52	0.06	0.6	0.156	CNN1032

Other sizes available on request.

Some sizes available in stainless steel.

PART #	UPC #	DESCRIPTION	QTY / PKG	SUG. TRADE LIST / PKG
CNN1224	30035	12-24 Cage Nuts .025 - .063 Panel Range .343 - .348 or .375 - .380 Mounting Hole Black Phosphate Coated	50	\$ 33.35
CNN1024	30030	10-24 Cage Nut .025 - .063 Panel Range .343 - .348 or .375 - .380 Mounting Hole Black Phosphate Coated	50	\$ 29.78
CNN1032	30025	10-32 Cage Nut .025 - .063 Panel Range .343 - .348 or .375 - .380 Mounting Hole Black Phosphate Coated	50	\$ 27.30

★ ★ ★ ★ ★ *"Growth Through Innovation"* ★ ★ ★ ★ ★

### Metallics

229 Cross Street, Bristol, CT 06010  
**Tel** 800-243-8272 • **Fax** 800-831-9358  
**Email** sales@metallicsonline.com

### Metallics West

651 North Main Street, Mancos, CO 81328  
**Tel** 800-269-5183 • **Fax** 800-269-6278  
**Email** saleswest@metallicsonline.com

[www.metallicsonline.com](http://www.metallicsonline.com)